

NIBCO® Press System Bronze Angle Valves

Screw-In Bonnet • Integral Seat • Renewable Seat and Disc

200 PSI/13.8 bar non-shock cold working pressure
250°F maximum operating temperature

CONFORMS TO MSS SP-80



MATERIAL LIST

PART	SPECIFICATION
1. Handwheel Nut	300 Series Stainless Steel
2. Identification Plate	Aluminum
3. Handwheel	Malleable Iron ASTM A 47
4. Stem	Silicon Bronze ASTM B 371 Alloy C69430
5. Pack Gland	Brass ASTM B 16 Alloy C36000
6. Pack Nut	Brass ASTM B 16 Alloy C36000
7. Packing	Aramid Fibers with Graphite
8. Bonnet	Bronze ASTM B 62 Alloy C83600
9. Disc Holder Nut	Bronze ASTM B 62 Alloy C83600
10. Disc Holder	Bronze ASTM B 62 Alloy C83600
11. Disc	PTFE
12. Disc Washer	304 Stainless Steel
13. Disc Nut	Silicon Bronze ASTM B 96 Alloy C65100
14. Body	Bronze ASTM B 62 Alloy C83600
15. Female Adapter (2)	Bronze ASTM B 61 Alloy C92200
16. O-Ring (2)	EPDM



PF-311-Y
Press x Press
Female End

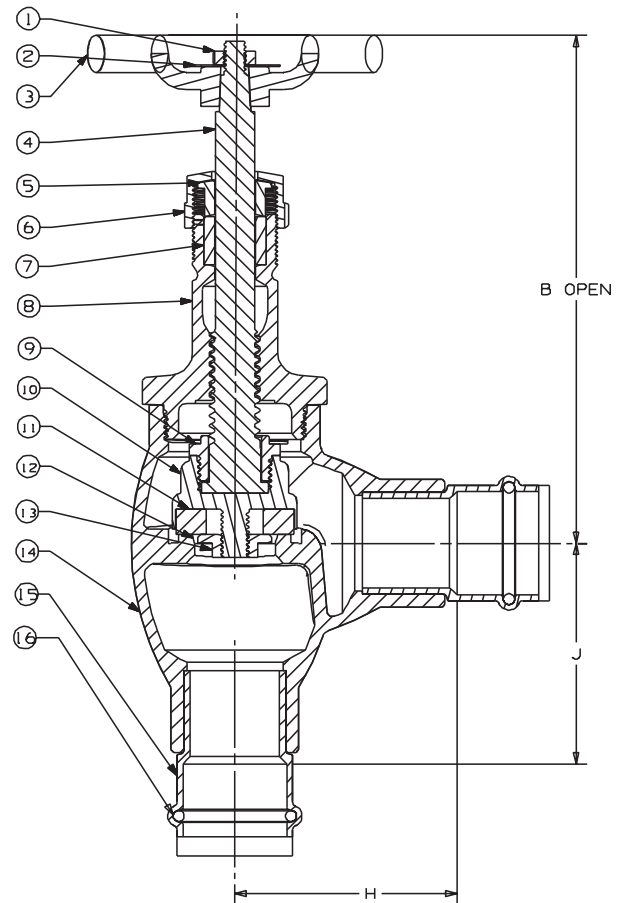
DIMENSIONS—WEIGHTS

Size	Dimensions				Weight				
	In.	mm.	In.	mm.	In.	mm.	Lbs.	Kg.	
*1/2†	15	3.50	89	1.49	38	1.49	38	1.07	.48
3/4	20	4.94	126	2.00	51	2.00	51	1.94	.88
1	25	5.75	146	2.48	63	2.48	63	3.12	1.42
1 1/4	32	6.13	156	2.59	66	2.59	66	4.21	1.92
1 1/2	40	7.25	179	2.98	76	2.98	76	5.44	2.47
2	50	8.13	206	3.64	93	3.64	93	9.98	4.54

† No packing gland, packing only in this size.

* Stem and disc or disc holder are integral.

NIBCO Press System angle valves are designed to meet MSS SP-80 with the exception of the end connection. Male and female press-to-connect ends are new technology not yet covered in the current edition of this specification.



PF-311-Y
P x P

Visit our website for the most current information.